

PRODUCT INFORMATION PACKET

Model No: 145TTDR14007

Catalog No: C102A

General Purpose Motor, 2 & 1.50 HP, 3 Ph, 60 & 50 Hz, 230/460 & 190/380 V, 3600 & 3000 RPM,
145TC Frame, DP



Regal and Marathon are trademarks of Regal Rexnord Corporation or one of its affiliated companies.

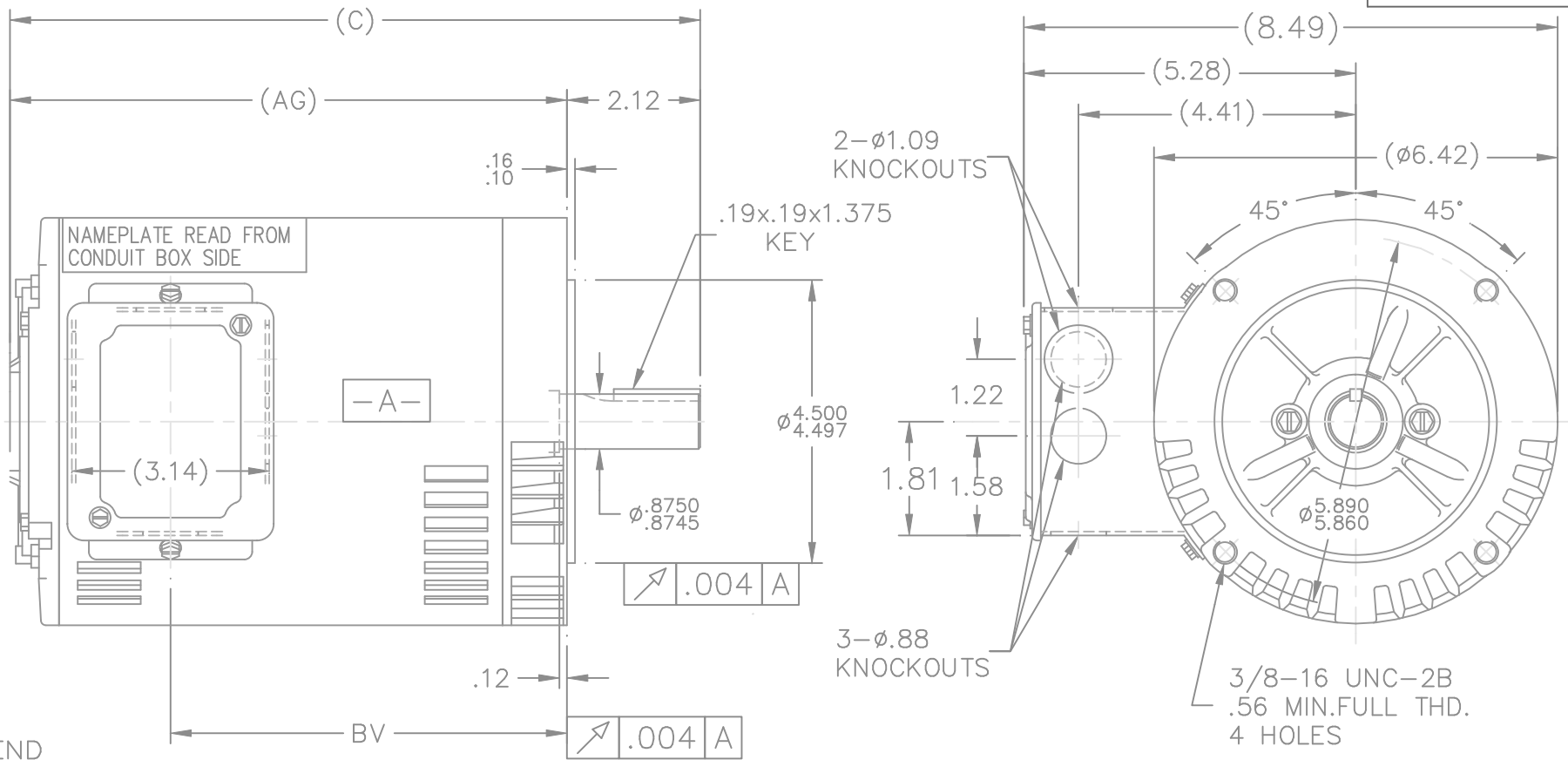
©2023 Regal Rexnord Corporation, All Rights Reserved. MC017097E

Nameplate Specifications

Phase	3	Output HP	2 & 1.50 Hp
Output KW	1.5 & 1.1 kW	Voltage	230/460 & 190/380 V
Speed	3510 & 2935 rpm	Service Factor	1.15 & 1.15
Frame	145TC	Enclosure	Drip Proof
Thermal Protection	No Protection	Efficiency	84 & 85 %
Ambient Temperature	40 °C	Frequency	60 & 50 Hz
Current	5.4/2.7 & 5.0/2.5 A	Power Factor	81.2
Duty	Continuous	Insulation Class	B
Design Code	B	KVA Code	K
Drive End Bearing Size	6205	Opp Drive End Bearing Size	6203
UL	Recognized	CSA	Y
CE	Y	IP Code	22
Number of Speeds	1		

Technical Specifications

Electrical Type	Squirrel Cage Induction Run	Starting Method	Across The Line
Poles	2	Rotation	Reversible
Resistance Main	0 Ohms	Mounting	Round
Motor Orientation	Horizontal	Drive End Bearing	Ball
Opp Drive End Bearing	Ball	Frame Material	Rolled Steel
Shaft Type	T	Overall Length	10.99 in
Frame Length	7.06 in	Shaft Diameter	0.875 in
Shaft Extension	2.12 in	Assembly/Box Mounting	F1 ONLY
Outline Drawing	A-100097-706	Connection Drawing	A-EE7308



TERM. END

DASH	FR.	C	AG	BV	DASH	FR.	C	AG	BV
					806	140TC	11.99	9.87	7.31
656	140TC	10.49	8.37	5.81	856	140TC	12.49	10.37	7.81
706	140TC	10.99	8.87	6.31	906	140TC	12.99	10.87	8.31
756	140TC	11.49	9.37	6.81	956	140TC	13.49	11.37	8.81

NOTES:
1. CONDUIT BOX CAN BE ROTATED 180°

				TOLERANCES UNLESS SPECIFIED		MARATHON ELECTRIC	DRAWN SMC 04-24-1991						
				DEC.	INCHES		CHK	ML	APPD	GK	SCALE	3=8	
7	FRAME WAS 140TCZ	CN 31509	TJB	03-30-2001	.X	±.1	TITLE OUTLINE 140TC FR. DR.PR. - C'FACE	APPD	GK	04-24-1991	REF		
6	ADDED SHAFT KEY NOTE: .19X.19X1.375	CN29200-1254	MSG	01-06-2001	.XX	±.03		SCALE	3=8				
5	REVISED 'C' DIMENSION	CN 29200-1189	MSG	12-11-2000	.XXX	±.005		REF					
4	REDRAWN ON CADD		SMC	04-24-1991	.XXXX	±.0005		REF					
NO.	REVISION		BY & DATE		CHK	ANG		±7'30"	REF				
THIS DRAWING IN DESIGN AND DETAIL IS OUR PROPERTY AND MUST NOT BE USED EXCEPT IN CONNECTION WITH OUR WORK ALL RIGHTS OF DESIGN AND INVENTION ARE RESERVED THIS IS AN ELECTRONICALLY GENERATED DOCUMENT - DO NOT SCALE THIS PRINT				RFP	CAD FILE 100097			SIZE	DRAWING NO.	PAGE	OF	REV.	
				DIST	WP	A			100097			7	



NO.		REVISION		BY & DATE		TOLERANCES UNLESS SPECIFIED		Regal Beloit America, Inc.	DRAWN RM 11/20/1990		
						DEC.	INCHES		CHK	ML	
5	CHG TO REGAL LOGO	SL	09/10/2015	AB		DEC.	INCHES		CHK	ML 11/21/1990	
4	REVISED IEC NOTATIONS	MSG	11/15/2011	CMN	.X		±.1		APPD	SAS 04/24/2003	
3	ADDED IEC NOTATIONS... (U1), (V1) ETC. MU95194	MSG	5/10/2010	MJS	.XX		±.02	TITLE CONNECTION DIAGRAM	SCALE	1=1	
2	ADDED THE OPTIONAL CORD CONNECTION MU46318	RDH	04/24/2003	DRS	.XXX		±.005	3Ø - DUAL VOLTAGE MOTOR	REF		
1	REDRAWN	RM	11/20/1990		.XXXX		±.0005	MAT'L.	FMF		
						CHK	ANG	±7'30"	FINISH	PREV	
THIS DRAWING IN DESIGN AND DETAIL IS OUR PROPERTY AND MUST NOT BE USED EXCEPT IN CONNECTION WITH OUR WORK ALL RIGHTS OF DESIGN AND INVENTION ARE RESERVED THIS IS AN ELECTRONICALLY GENERATED DOCUMENT - DO NOT SCALE THIS PRINT						RFP	CAD FILE ee7308		SIZE	DRAWING NO. PAGE OF	REV.
						DIST	WP	A	EE7308	5	

EC Declaration of Conformity

The undersigned representing
the manufacturer:

Regal Beloit America
100 East Randolph St.
Wausau, WI 54401

and the authorized representative
established within the Community:

Marathon Electric UK
6F Thistleton Road Ind. Estate
Market Overton
Oakham, Rutland LE15 7PP UK

are committed to providing customers with products that comply with applicable regulations and international protocols to which they are subject, including the requirements of the European Parliament Directive on the Harmonization of the laws relating to electrical equipment designed for use within certain voltage limits (2014/35/EU).

Regal Beloit America declares that the following product(s), to which this declaration relates, are in conformity with the relevant sections of the EC standards listed below.

This statement supersedes any statements previously issued pertaining to the product(s) listed below and is subject to change without notice.

Model No : 145TTDR14007

(Model No. may contain prefix and/or suffix characters)

Catalog No : C102A

Rework No : N/A

Directives :

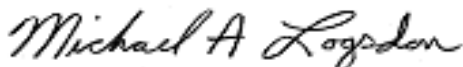
Low Voltage Directive 2014/35/EU

Harmonized Standards Used :

EN 60034-1: 2010 (IEC 60034-1: 2010)

EN 60034-5: 2001/A1:2007 (IEC 60034-5: 2000/A1:2006)

Authorized Representative:



Michael A. Logsdon
Vice President, Technology

Authorized Representative in the Community:



Julian Clark
Marketing Engineer

Created on 09/06/2022

CE 22